



**SMITH**  
INDUSTRIES



**SMITHVAC**

**HV404 HYDROVAC**



[WWW.SMITHVAC.COM](http://WWW.SMITHVAC.COM)

Work Hardened Hydrovac Equipment

*In this line of work  
"getting to the job is half the battle"*

**NOT ANYMORE!**



**COMPACT - RELIABLE - LIGHTWEIGHT - QUIET - MANEUVERABLE**

**1 COMPACT AND MANEUVERABLE**

- The optional track kit represents the ultimate rough terrain hydrovac.
- The HV404 is only 26 feet long!

**2 USER FRIENDLY**

- Simple rear mounted controls close to the excavation area.
- The full function boom has an Omnex wireless remote to control the boom and all digging functions.
- The unique wash/pressure control allows infinite pressure delivery.
- The boiler uses digital temperature control, diagnostic indicator lights and momentary test override switches.
- Equipped with standard operator comforts: featuring a heated clothing cabinet, boot and mitt dryer.
- Ample storage with deck-mounted hose tubes and heated cabinets with adjustable storage shelves.
- All components easily accessible for stress free maintenance.

**3 QUIET**

- The Hibon 1500 CFM blower is mounted in a sound deadening enclosure. Operators and customers will be thrilled with the decreased sound pressure compared to competitors' units.

**4 DESIGNED & PROVEN TO WORK IN BITTER COLD**

- There is no other hydrovac that incorporates all wash components mounted in a heated cabinet directly connected to the water tank. This very simple feature guards against freezing and there is rarely a need to circulate water.

**5 BACKED BY FACTORY SUPPORT**

- Smith Industries stocks all replacement parts and is always ready to serve you. Technical support is available directly from your job site via telephone.



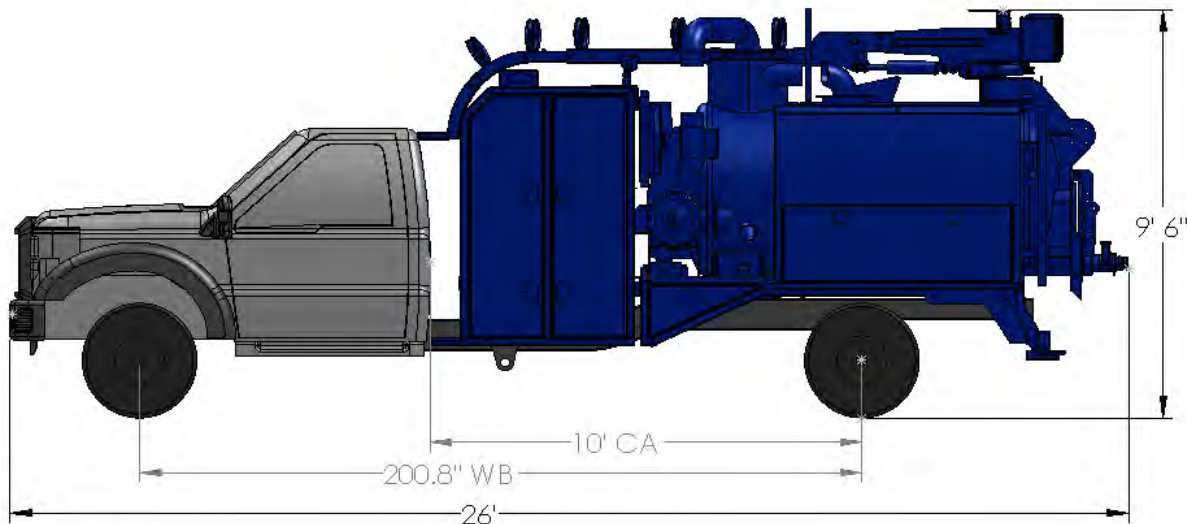
**SMITH  
INDUSTRIES**

## Specifications Smithvac HV404 Hydrovac

PARAMETER	VALUE
Debris Tank	1.5 M <sup>3</sup> / 2 yd <sup>3</sup> aluminum construction
Water Tank	1.5 M <sup>3</sup> / 400 USG aluminum construction
Blower	Hibon VTB 820XL 1500 CFM full vacuum enclosure mounted
Standard Wash Pump	10 GPM @ 3000 PSI
Boom	6" full rotation all wireless 5' extension
Mud Gate	30" X 30" square with curved contour bottom to match tank
Blower Drive	Hydraulic vane pump and bent axis piston motor
Auxiliary Hydraulic Pump	Pressure compensated variable displacement piston type
Wash Pump Drive	Variable pressure auto regulated speed
Hoist	Double acting telescopic 50 degree tilt
Recommended Horse Power	300 HP
Wheel Base / Cab To Axle	200.8" WB / 120" CA
Gross Vehicle Weight Rating	19,500 lbs.
Approximate Vehicle Width	97"
Approximate Vehicle Length	26'
Approximate Vehicle Height	9' 6"
Recommend F550 200.8 WB 4x4 or 2x4	

### AVAILABLE OPTIONS

Polished aluminum doors	Hose reel with jetter hose and heater in right side front cabinet
Rear bumper fold down steps	Wireless wash pressure adjustment
Track drive kit	Smooth painted doors





**SMITH**  
**INDUSTRIES**

Head Office and Factory  
800 47 Street East  
Saskatoon SK S7K 0X4  
Telephone: 306 373-7622  
Fax: 306 244-4748  
E-mail: info@smithvac.com

# Reliable Hydrovac Equipment

Reliable hydrovac equipment that performs day after day especially in cold weather

# HV404



[WWW.SMITHVAC.COM](http://WWW.SMITHVAC.COM)

Note: many options and customizations shown are not included as standard